



PARTS & SERVICE DEPARTMENT

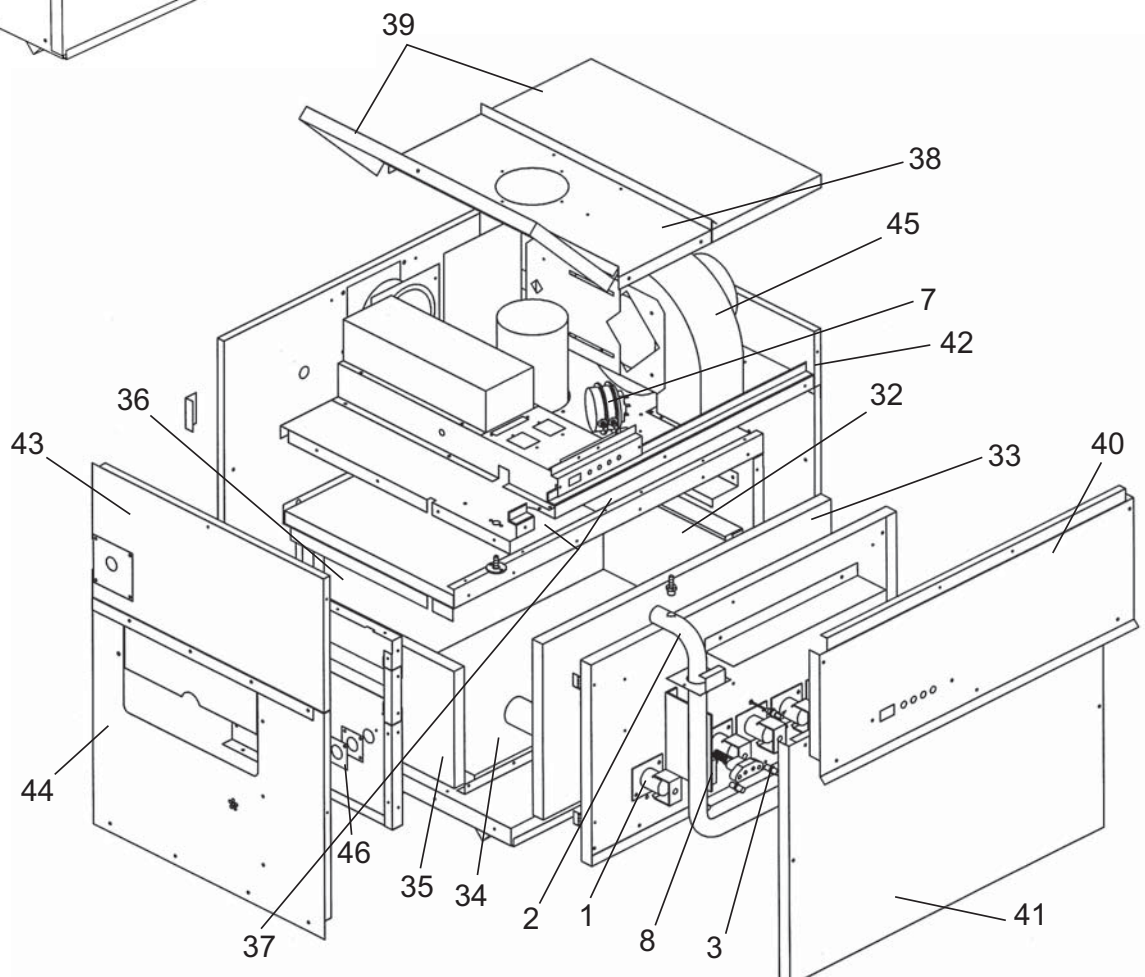
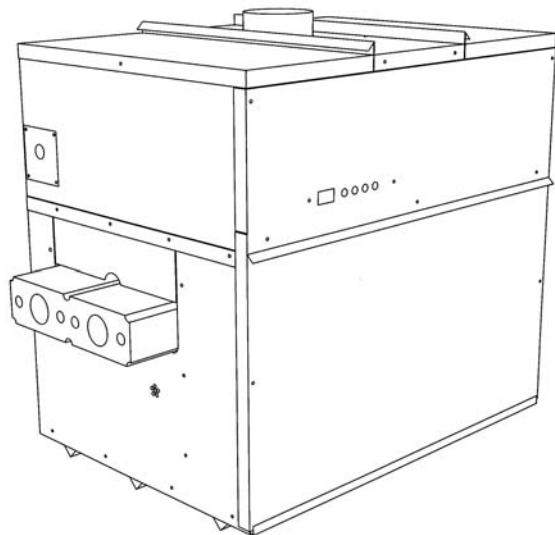
Lebanon, Tennessee

615- 889-8900 • Fax: 615-547-1000

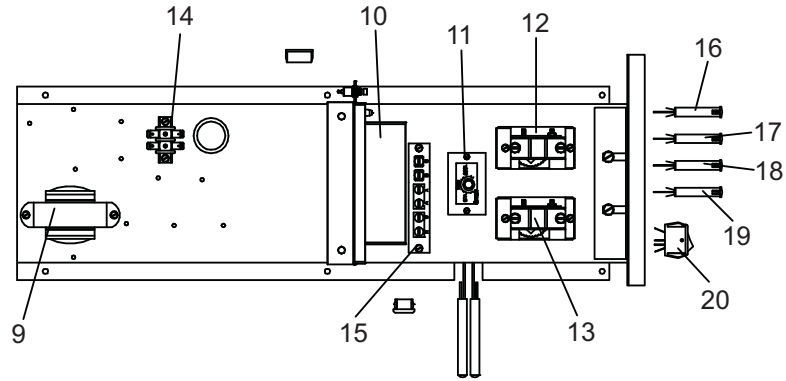
www.Lochinvar.com

Replacement Parts List

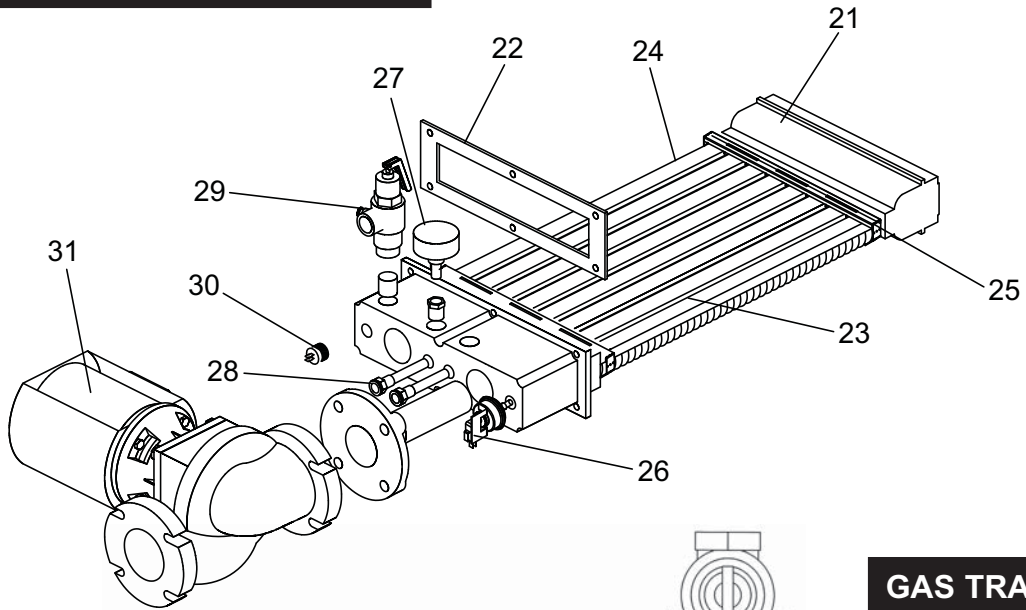
COPPER-FIN II® Boilers / Water Heaters / Pool Heaters CH/CF/CP 300-750



CONTROL PANEL

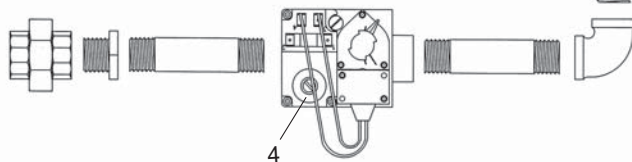


HEAT EXCHANGER ASSEMBLY

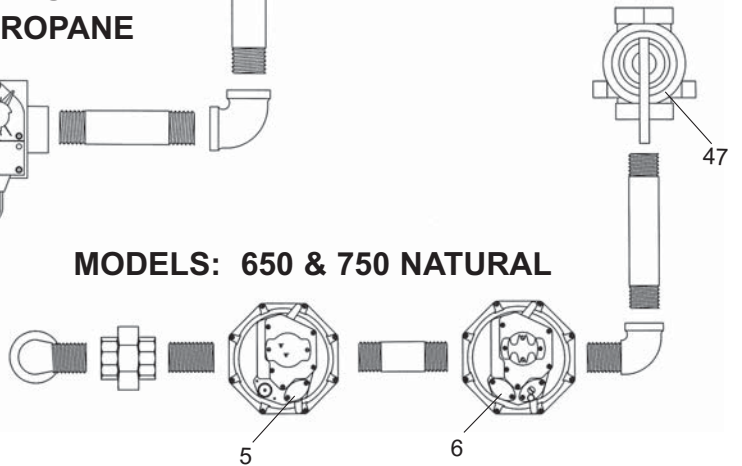


GAS TRAIN ASSEMBLIES

**MODELS: 300-500 NATURAL
300-750 PROPANE**



MODELS: 650 & 750 NATURAL



ITEM NO.	PART NO.	DESCRIPTION	MODEL NUMBER		
GAS TRAIN ASSEMBLIES					
1	BNR2400 MAIN BURNER BNR3400 MAIN BURNER W/ PRESSURE TAP BNR2401 MAIN BURNER LOCATED UNDER HOT SURFACE IGNITOR ON LPG ONLY	MODEL	BNR2400	BNR3400	BNR2401
		300 NAT	5 ea	1 ea	--
		300 LPG	4 ea	1 ea	1 ea
		400 NAT	7 ea	1 ea	--
		400 LPG	6 ea	1 ea	1 ea
		500 NAT	9 ea	1 ea	--
		500 LPG	8 ea	1 ea	1 ea
		650 NAT	12 ea	1 ea	--
		650 LPG	11 ea	1 ea	1 ea
		750 NAT	14 ea	1 ea	--
		750 LPG	13 ea	1 ea	1 ea
2	MAN2400	BURNER MANIFOLD	300		
2	MAN2401	BURNER MANIFOLD	400		
2	MAN2402	BURNER MANIFOLD	500		
2	MAN2403	BURNER MANIFOLD	650		
2	MAN2404	BURNER MANIFOLD	750		
3	ORF2401	ORIFICE, NAT.	ALL		
3	ORF2402	ORIFICE, LPG.	ALL		
4	VAL2400	VALVE, GAS NAT.	300		
4	VAL2915	VALVE, GAS NAT.	400 & 500		
4	VAL2401	VALVE, GAS LPG.	300-500		
4	VAL2916	VALVE, GAS LPG.	650 & 750		
5	VAL2102	VALVE, GAS NAT.	650 & 750		
6	VAL2108	VALVE, GAS NAT.	650 & 750		
CONTROLS & GAUGES					
7	KIT30031	SWITCH, LOW AIR PRESSURE	ALL		
8	PLT3400	HOT SURFACE IGNITOR	ALL		
9	TRF2004	TRANSFORMER 50VA	ALL		
10	RLY3428	IGNITION MODULE	ALL		
11	TST2407	THERMOSTAT, OPERATOR	ALL CF		
12	TST3911	THERMOSTAT, HI LIMIT	ALL		
12	TST3910	THERMOSTAT, HI LIMIT	ALL CP		
13	TST4010	THERMOSTAT, OPERATOR	ALL CH & CP		
13	TST3910	THERMOSTAT, LIMIT	ALL CF		
13	TST3921	THERMOSTAT, LIMIT	ALL CP		
14	MSC2910	TERMINAL STRIP, 2 POLE	ALL		
15	MSC2420	TERMINAL STRIP, 6 POLE	ALL		
16	MSC2424	LIGHT, AMBER 28V LOW AIR	ALL		
17	MSC2425	LIGHT, AMBER 125V TRIAL FOR IGNITION	ALL		
18	MSC2423	LIGHT, GREEN 28V BURNER ON	ALL		
19	MSC2422	LIGHT, RED 28V FLAME FAILURE	ALL		
20	MSC2426	SWITCH, ROCKER	ALL		
HEAT EXCHANGERS (ALL HEAT EXCHANGERS COMPLETE WITH V-BAFFLES)					
21	HEX3400	HEAT EXCHANGER (CF/CP BEFORE SERIAL # F00 & ALL CH)	CH/CF/CP 300		
21	HEX3401	HEAT EXCHANGER (CF/CP BEFORE SERIAL # F00 & ALL CH)	CH/CF/CP 400		
21	HEX3402	HEAT EXCHANGER (CF/CP BEFORE SERIAL # F00 & ALL CH)	CH/CF/CP500		
21	HEX3403	HEAT EXCHANGER (CF/CP BEFORE SERIAL # F00 & ALL CH)	CH/CF/CP 650		
21	HEX3404	HEAT EXCHANGER (CF/CP BEFORE SERIAL # F00 & ALL CH)	CH/CF/CP 750		
21	HEX3010	HEAT EXCHANGER (AFTER SERIAL # F00)	CF/CP 300		
21	HEX3011	HEAT EXCHANGER (AFTER SERIAL # F00)	CF/CP 400		
21	HEX3012	HEAT EXCHANGER (AFTER SERIAL # F00)	CF/CP 500		
21	HEX3013	HEAT EXCHANGER (AFTER SERIAL # F00)	CF/CP 650		
21	HEX3014	HEAT EXCHANGER (AFTER SERIAL # F00)	CF/CP 750		
22	GKT2400	GASKET, HEAT SHIELD	ALL		
23	JKD2250	V-BAFFLE 5 PER UNIT	300		
23	JKD2251	V-BAFFLE 5 PER UNIT	400		
23	JKD2252	V-BAFFLE 5 PER UNIT	500		
23	JKD2253	V-BAFFLE 5 PER UNIT	650		
23	JKD2254	V-BAFFLE 5 PER UNIT	750		
24	JKD6448	FRAME RUNNER 2 PER UNIT	300		
24	JKD6449	FRAME RUNNER 2 PER UNIT	400		
24	JKD6450	FRAME RUNNER 2 PER UNIT	500		
24	JKD6451	FRAME RUNNER 2 PER UNIT	650		
24	JKD6452	FRAME RUNNER 2 PER UNIT	750		
25	JKD6186	FRAME END 2 PER UNIT	ALL		
PLEASE HAVE MODEL NUMBER AND SERIAL NUMBER WHEN ORDERING PARTS					
NOTE: CH = BOILER, CF = WATER HEATER & CP = POOL HEATER					

ITEM NO.	PART NO.	DESCRIPTION	MODEL NUMBER
HEAT EXCHANGERS (ALL HEAT EXCHANGERS COMPLETE WITH V-BAFFLES) (Continued)			
26	PRS2406	SWITCH, POOL HEATER PRESSURE	ALL CP
27	GTP2900	TEMPERATURE & PRESSURE GAUGE	ALL CH
27	GTP3000	TEMPERATURE GAUGE 2"	ALL CF & CP
28	TST2301	WELL, THERMOSTAT	ALL
29	RLV2006	RELIEF VALVE, TEMPERATURE & PRESSURE	CF/CP 300 & 400
29	RLV2017	RELIEF VALVE, TEMPERATURE & PRESSURE	CF/CP 500-750
29	RLV2001	RELIEF VALVE, PRESSURE ONLY	ALL CH
30	HLC2510	200° HIGH LIMIT	CP
--	HLC2503	100° HIGH LIMIT	CP
PUMP			
31	ARM3044PBF	PUMP	ALL CF
31	ARM3044PABTE	PUMP	ALL CP
LOCH-HEAT® TILE			
32	FIB2421	LOCH-HEAT® TILE, REAR HEAD SIDE	ALL
33	FIB2405	LOCH-HEAT® TILE, FRONT DOOR	300
33	FIB2406	LOCH-HEAT® TILE, FRONT DOOR	400
33	FIB2407	LOCH-HEAT® TILE, FRONT DOOR	500
33	FIB2408	LOCH-HEAT® TILE, FRONT DOOR	650
33	FIB2409	LOCH-HEAT® TILE, FRONT DOOR	750
34	FIB2415	LOCH-HEAT® TILE, BOTTOM	300
34	FIB2416	LOCH-HEAT® TILE, BOTTOM	400
34	FIB2417	LOCH-HEAT® TILE, BOTTOM	500
34	FIB2418	LOCH-HEAT® TILE, BOTTOM	650
34	FIB2419	LOCH-HEAT® TILE, BOTTOM	750
35	FIB2420	LOCH-HEAT® TILE, FRONT HEAD SIDE	ALL
36	FIB2400	LOCH-HEAT® TILE, REAR	300
36	FIB2401	LOCH-HEAT® TILE, REAR	400
36	FIB2402	LOCH-HEAT® TILE, REAR	500
36	FIB2403	LOCH-HEAT® TILE, REAR	650
36	FIB2404	LOCH-HEAT® TILE, REAR	750
37	FIB2410	LOCH-HEAT® TILE, TOP (2 REQUIRED)	300
37	FIB2411	LOCH-HEAT® TILE, TOP (2 REQUIRED)	400
37	FIB2412	LOCH-HEAT® TILE, TOP (2 REQUIRED)	500
37	FIB2413	LOCH-HEAT® TILE, TOP (2 REQUIRED)	650
37	FIB2414	LOCH-HEAT® TILE, TOP (2 REQUIRED)	750
JACKET / DOOR ASSEMBLIES			
38	JKD6063	JACKET, OUTER TOP CENTER	300
38	JKD6064	JACKET, OUTER TOP CENTER	400
38	JKD6065	JACKET, OUTER TOP CENTER	500
38	JKD6066	JACKET, OUTER TOP CENTER	650
38	JKD6067	JACKET, OUTER TOP CENTER	750
39	JKD6068	JACKET, OUTER TOP SIDES	300
39	JKD6069	JACKET, OUTER TOP SIDES	400 - 500
39	JKD6070	JACKET, OUTER TOP SIDES	650 - 750
40	JKD6058	JACKET, OUTER FRONT UPPER	300
40	JKD6059	JACKET, OUTER FRONT UPPER	400
40	JKD6060	JACKET, OUTER FRONT UPPER	500
40	JKD6061	JACKET, OUTER FRONT UPPER	650
40	JKD6062	JACKET, OUTER FRONT UPPER	750
41	JKD6053	JACKET, OUTER FRONT LOWER	300
41	JKD6054	JACKET, OUTER FRONT LOWER	400
41	JKD6055	JACKET, OUTER FRONT LOWER	500
41	JKD6056	JACKET, OUTER FRONT LOWER	650
41	JKD6057	JACKET, OUTER FRONT LOWER	750
42	JKD6503	JACKET, OUTER RIGHT	ALL
43	JKD6505	JACKET, OUTER LEFT UPPER	ALL
44	JKD6504	JACKET, OUTER LEFT LOWER	ALL
MISCELLANEOUS			
45	FAN2714	FAN	ALL
46	MSC3415	SIGHT GLASS, KIT	ALL
47	GAC2028	GAS COCK 3/4"	300
47	GAC2029	GAS COCK 1"	400 & 500
47	GAC2030	GAS COCK 1 1/4"	650 & 750
--	TST2015	THERMOSTAT, HIGH LIMIT MANUAL RESET	--
--	TST2403	THERMOSTAT BOARD (NOT PICTURED)	ALL CP
--	TST2404	POTENTIOMETER (NOT PICTURED)	ALL CP
--	TST3015	WATER SENSOR (NOT PICTURED)	ALL CP
PLEASE HAVE MODEL NUMBER AND SERIAL NUMBER WHEN ORDERING PARTS			
NOTE: CH = BOILER, CF = WATER HEATER & CP = POOL HEATER			